

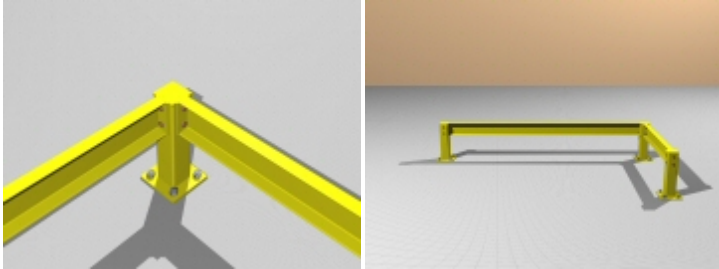


Call Today! (281)446-7144 Toll Free (800)881-6750
Se Habla Espanol

Material Storage Systems, Inc.

Designing and installing warehouse and office storage systems to maximize your space and efficiency.

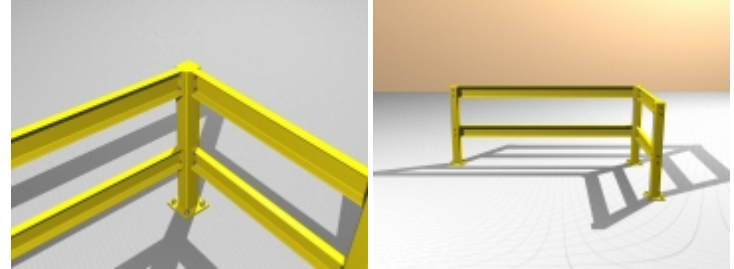
GUARDRAIL



Single Rail

Model	Rail Design	Rail Size	Price
SR10	Single Rail	10ft	\$121.50
SR09	Single Rail	9ft	\$118.00
SR08	Single Rail	8ft	\$80.00
SR07	Single Rail	7ft	\$86.50
SR06	Single Rail	6ft	\$76.00
SR05	Single Rail	5ft	\$67.50
SR04	Single Rail	4ft	\$56.00
SR03	Single Rail	3ft	\$47.00
SR02	Single Rail	2ft	\$38.00

Model	Post Design	Post Size	Price
SRP-18	18" High Post	18"	\$83.00



Double Rail

Model	Rail Design	Rail Size	Price
DR10	Double Rail	10ft	\$242.50
DR09	Double Rail	9ft	\$235.50
DR08	Double Rail	8ft	\$199.50
DR07	Double Rail	7ft	\$173.00
DR06	Double Rail	6ft	\$152.00
DR05	Double Rail	5ft	\$135.00
DR04	Double Rail	4ft	\$111.50
DR03	Double Rail	3ft	\$93.50
DR02	Double Rail	2ft	\$75.50

Model	Post Design	Post Size	Price
DRP-42	42" High Post	42"	\$127.00

What does guardrail protect?

- Equipment
- Work Areas
- Rack & Shelving
- Conveyor
- Electrical Panels
- Plumbing
- Office Walls
- Mezzanines
- Inventory

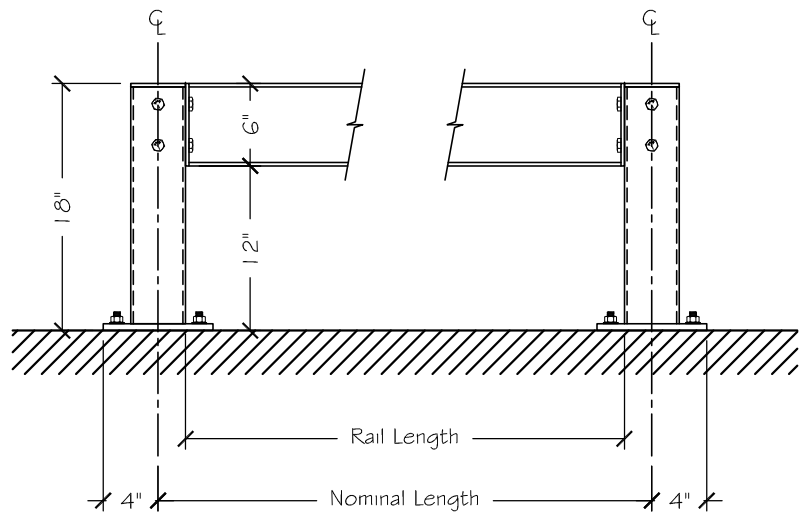
Construction

- All Welded structural steel
- All Hardware included in the cost

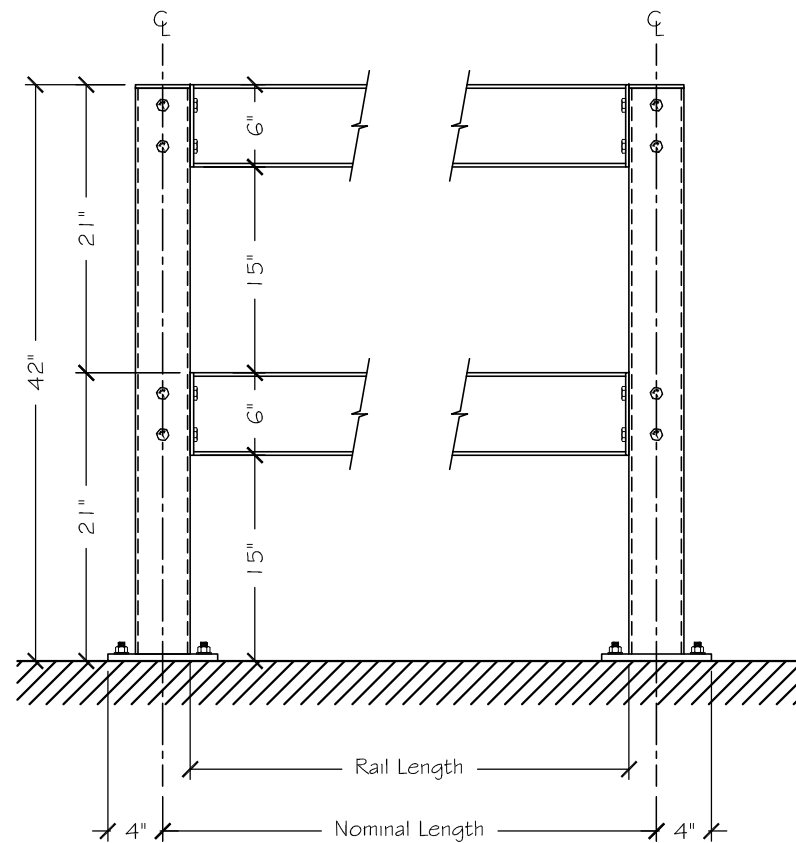
Finishes & Colors:

- Safety Yellow
- Galvanized

Guard Rail Data		
Model	Nominal Length	Rail Length
SR-2 / DR-2	2' (24")	1'-8" (20")
SR-3 / DR-3	3' (36")	2'-8" (32")
SR-4 / DR-4	4' (48")	3'-8" (44")
SR-5 / DR-5	5' (60")	4'-8" (56")
SR-6 / DR-6	6' (72")	5'-8" (68")
SR-7 / DR-7	7' (84")	6'-8" (80")
SR-8 / DR-8	8' (96")	7'-8" (92")
SR-9 / DR-9	9' (108")	8'-8" (104")
SR-10 / DR-10	10' (120")	9'-8" (116")



Single Rail System



Double Rail System

